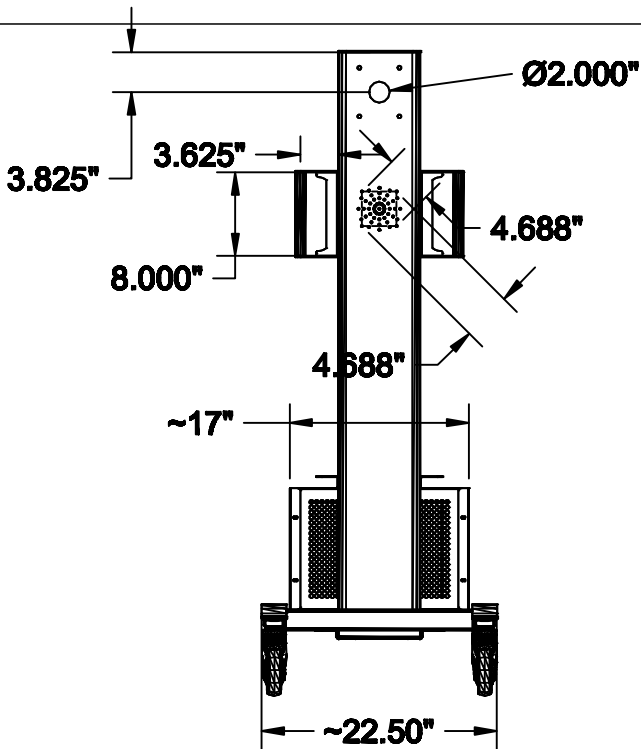
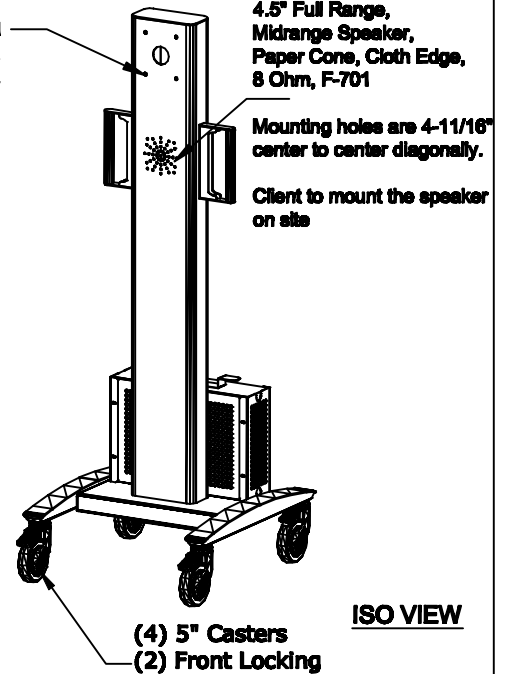
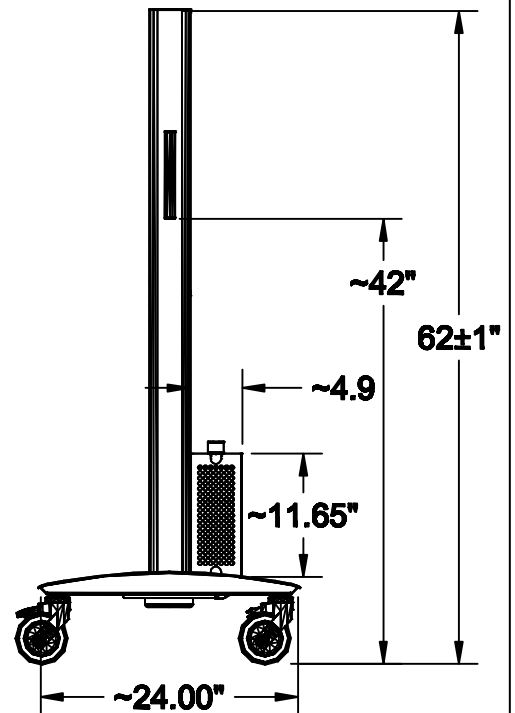


Hole Pattern for AXIS T91L61 to mount Axis M5525-E Client to mount at site



FRONT VIEW



SIDE VIEW

NOTE:  
Final Design May Vary.

DRAWN BY: PR/BD

DATE: 11/6/23

DESCRIPTION:

Custom Cart

APPROVED

USED ON:

PATH:  
Customers\RR Tech

TOLERANCES UNLESS OTHERWISE SPECIFIED

FRACTIONAL ±1/64  
2 PLC. DEC. ±.01  
3PLC. DEC. ±.001  
ANGULAR

FINISH

ENG:

MFG:

QA:

NOT TO SCALE

SHEET: 1 OF 1

NUMBER:

RRT\_MLCD200\_62\_1C\_01\_Rev04

SIZE  
A4