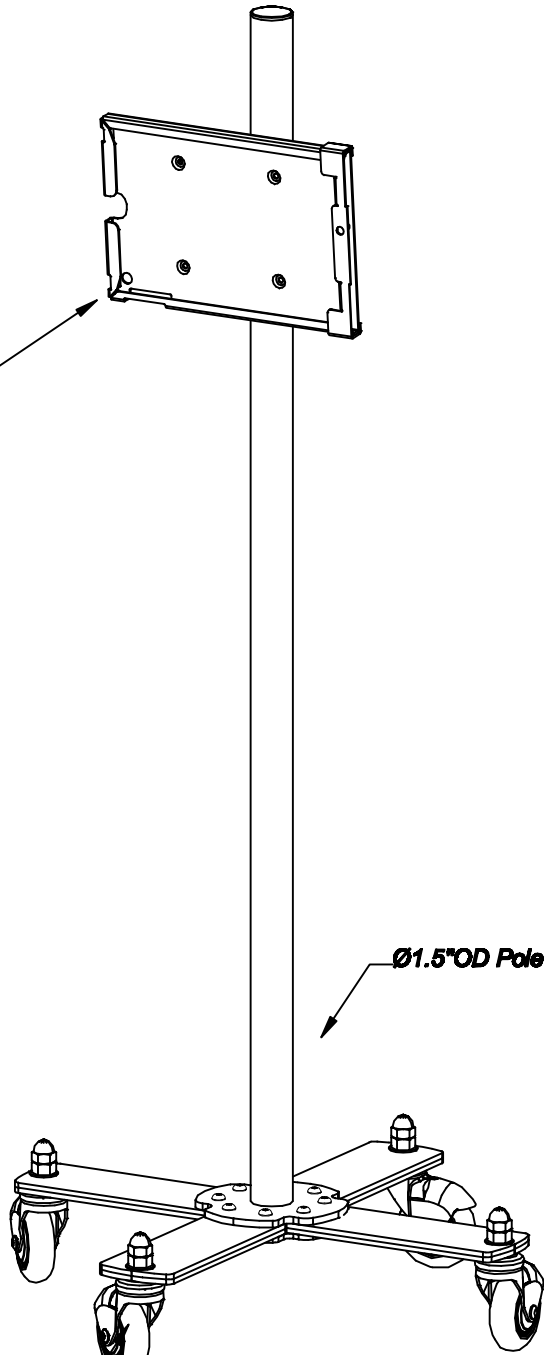


FO TABLET MODEL #:

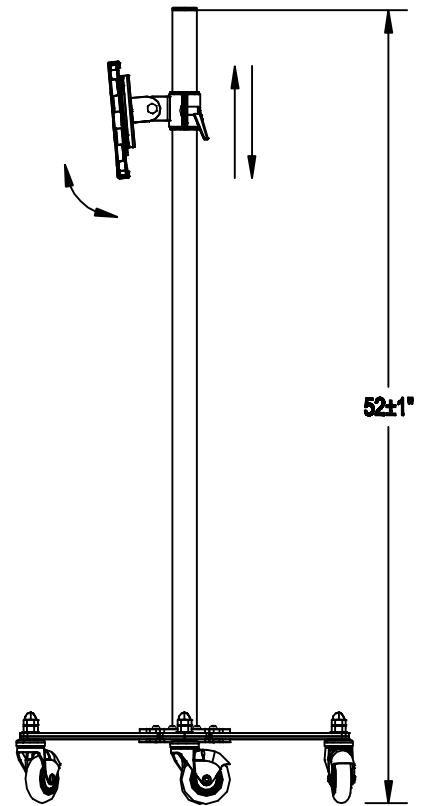
IPAD 10.2 GEN 7

Lockable VESA compliant Tablet holder mounted to VESA Plate with vertical tilt

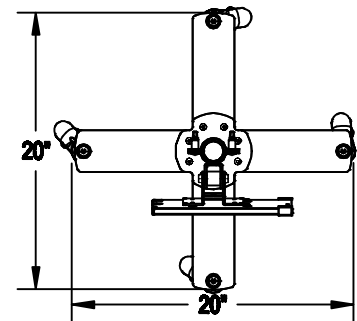


(5)  $\text{Ø}3''$  Casters  
(2) Locking

**SIDE VIEW**



**TOP VIEW**



**ISOMETRIC VIEW**

NOTES:	DRAWN BY: <b>GM/MC</b>	DATE: <b>04/01/20</b>	DESCRIPTION:
	A P P R O V E D		<b>TABLET CART</b>
<p>TOLERANCES UNLESS OTHERWISE SPECIFIED</p> <p>FRACTIONAL <math>\pm 1/64</math></p> <p>2 PLC. DEC. <math>\pm 01</math></p> <p>3PLC. DEC. <math>\pm 001</math></p> <p>ANGULAR</p> <p>FINISH</p>	ENG:		USED ON:
	MFG:		PATH:
	QA:		<b>MAXFLEX/TABLET CART/TBC2020</b>
	SCALE: $\sim 1'' = 1' - 0''$	SHEET: <b>1 OF 1</b>	NUMBER:
		<b>TBC2020-52P-AFC16-ipad10.2_01</b>	<b>2 A</b>