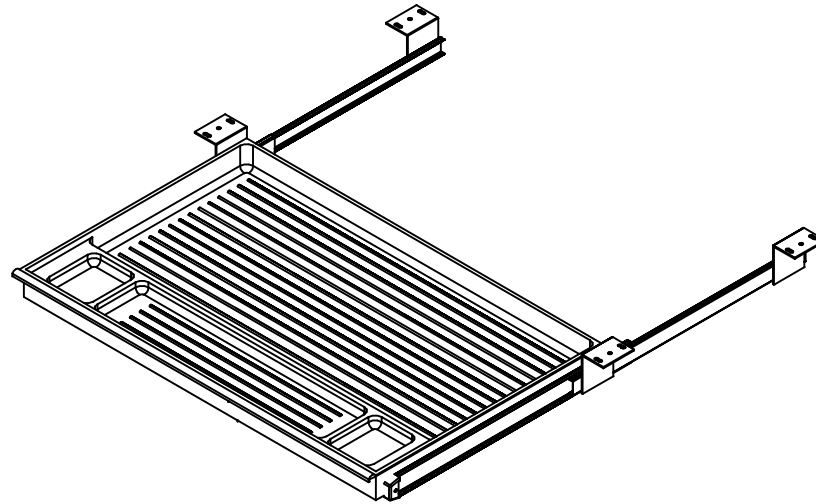


TOP VIEW
SCALE: 1" = 1' - 0"



ISOMETRIC VIEW

NOTES :

MATERIAL :

DRAWN BY: MC

DATE: 10/10/14

DESCRIPTION :

Wide Pencil Drawer PD001

A P P R O V E D

USED ON :

TOLERANCES UNLESS OTHERWISE SPECIFIED

FRACTIONAL ±1/64
2 PLC. DEC. ±.01
3PLC. DEC. ±.001

ENG :

MFG :

QA :

PATH :

Final_Assy\ACCESSORIES\Storage_Accessories

PDF NAME:

Pencil Drawer PD001

SIZE
A4

FINISH

±.5°
32

SCALE: ~1-1/2" = 1' - 0" SHEET : 1 OF 1