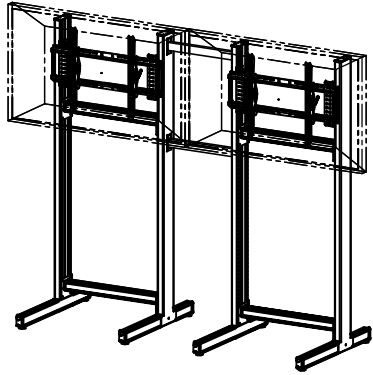


ISOMETRIC VIEW

SCALE: 1/4" = 1' - 0"



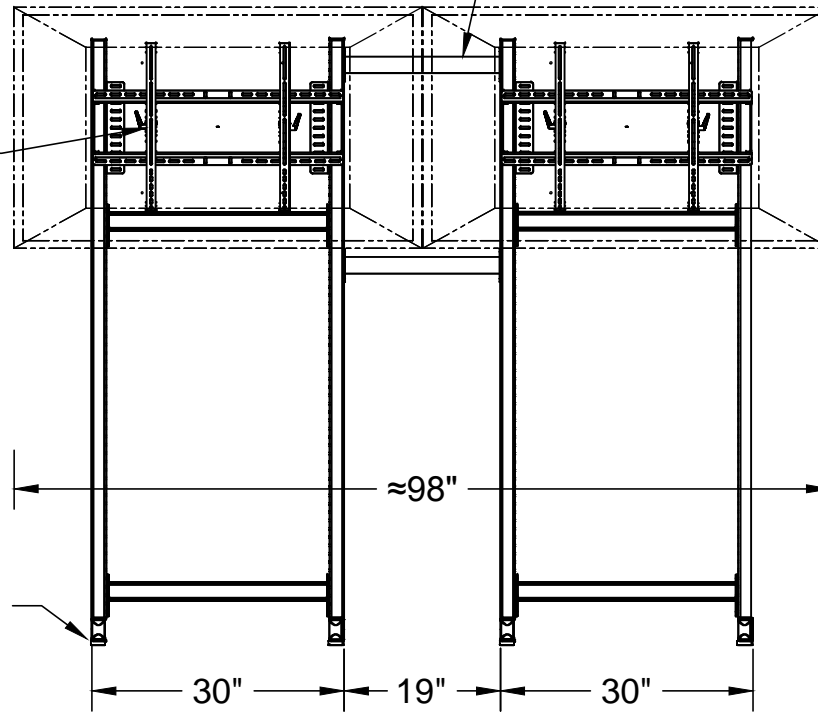
(2) Large Monitor Holder
AFC-3255 (Adjustable from
200x200mm up to 600x400mm
VESA Compliant)

(2) Connection
Brackets

Shown Images of
55" Monitors

FRONT VIEW

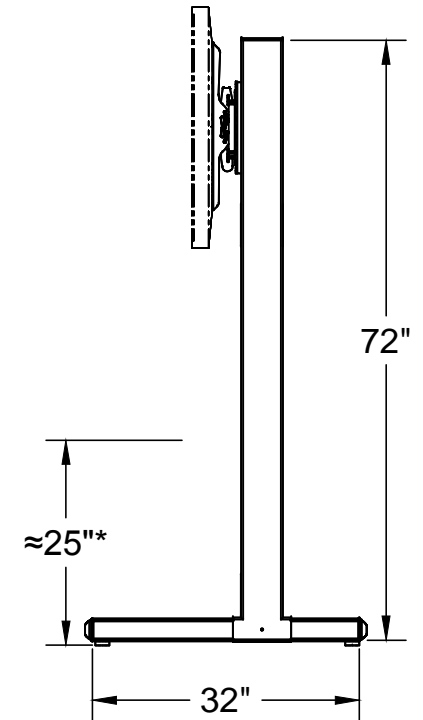
SCALE: 1/2" = 1' - 0"



(8) Adjustable
Glides

SIDE VIEW

SCALE: 1/2" = 1' - 0"



NOTES :

* - Adjustable dimension

MATERIAL :

TOLERANCES UNLESS
OTHERWISE SPECIFIED

FRACTIONAL ±1/64
2 PLC. DEC. ±.01
3PLC. DEC. ±.001
ANGULAR
FINISH

±.5°
32/

DRAWN BY: MB

DATE: 8/15/17

DESCRIPTION :

Monitor Wall Stand

A P P R O V E D

USED ON :

ENG :

MFG :

QA :

PATH :

\\Fin.AssyWallMount\Monitor Wall Stand\

PDF NAME:

MWS_79_32_72_(2x1)M55_01

SCALE AS SHOWN

SHEET: 1 OF 1

SIZE
A4