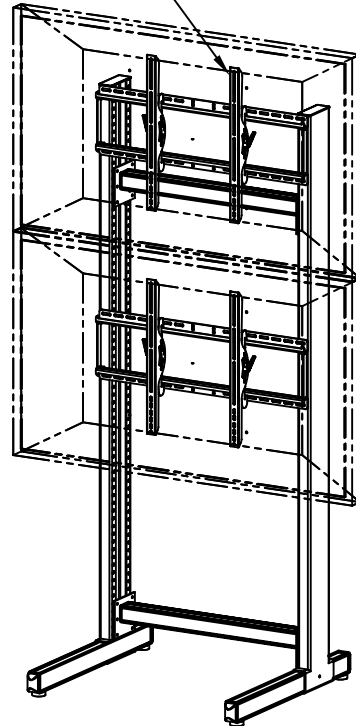


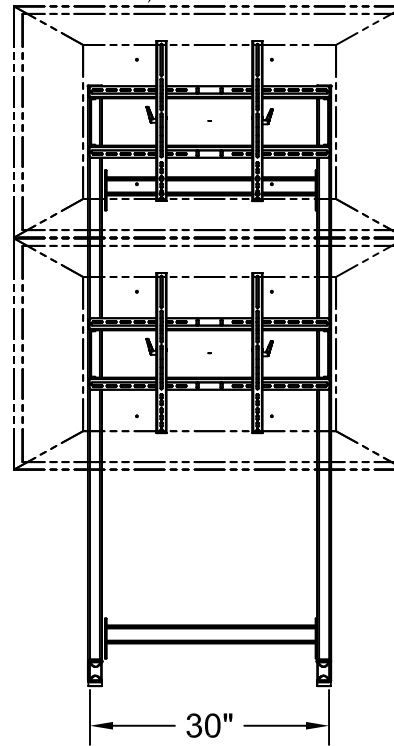
(2) Large Monitor Holder  
AFC-3255 (Adjustable from  
200x200mm up to 600x400mm  
VESA Compliant)



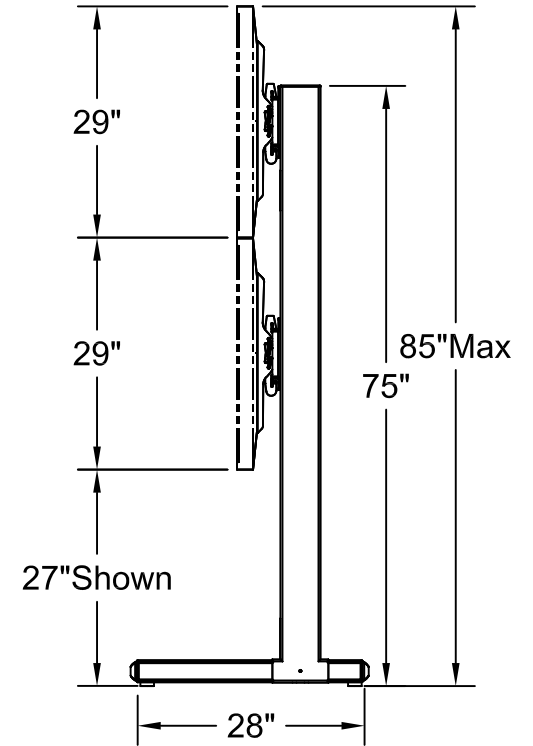
ISOMETRIC VIEW

(4) Adjustable  
Glides

Shown Images of  
NEC 55" Monitors  
(49"Wx29"H)



FRONT VIEW



SIDE VIEW

NOTES :

MATERIAL :

DRAWN BY: BD

DATE: 8/28/15

DESCRIPTION :

Monitor Wall Stand

A P P R O V E D

USED ON :

TOLERANCES UNLESS OTHERWISE SPECIFIED

FRACTIONAL ±1/64  
2 PLC. DEC. ±.01  
3 PLC. DEC. ±.001  
ANGULAR ±.5°  
FINISH

ENG :

MFG :

QA :

PATH :

\\Fin.Assy\WallMount\Monitor Wall Stand\

PDF NAME:

MWS\_24\_32\_75\_(1x2)M55\_01

REV: SIZE  
. A

SCALE: ~ 1/2" = 1" - 0"

SHEET: 1 OF 1