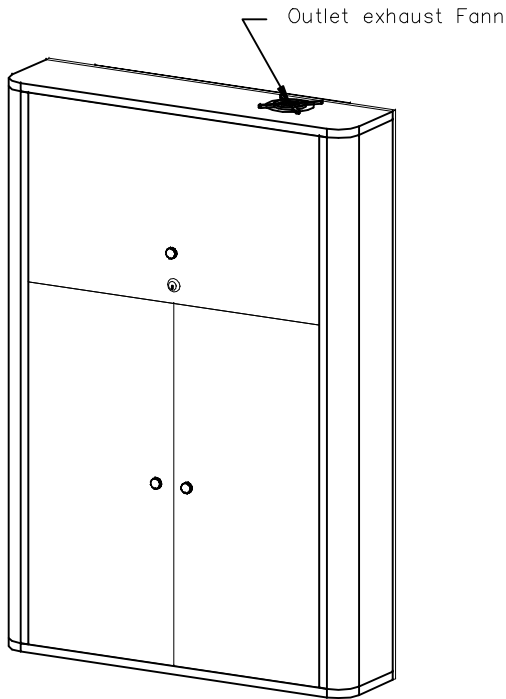
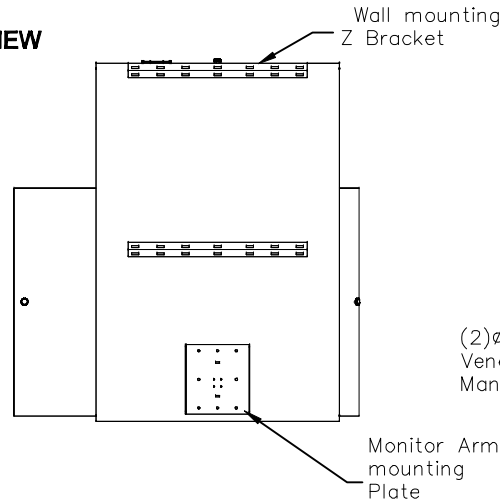


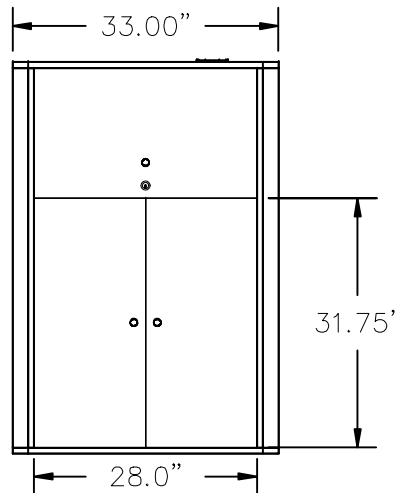
**ISOMETRIC VIEW**



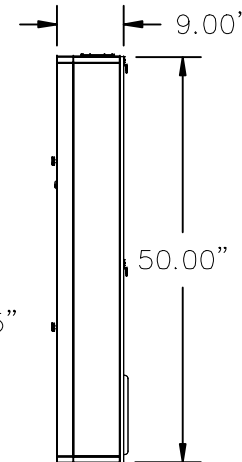
**BACK VIEW**



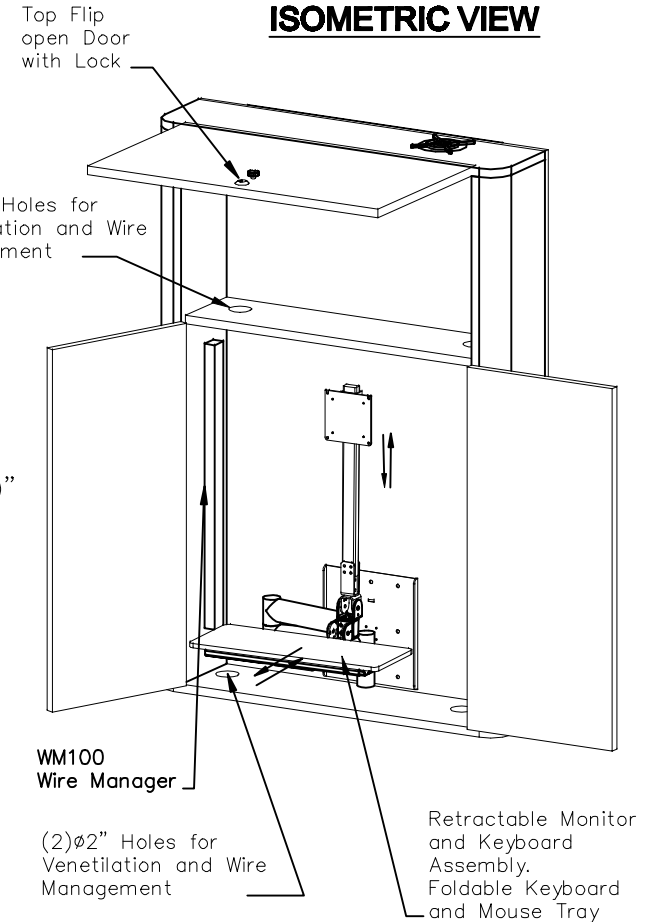
**FRONT VIEW**



**SIDE VIEW**



**ISOMETRIC VIEW**



**NOTES:**

**MATERIAL:**

TOLERANCES UNLESS OTHERWISE SPECIFIED  
 FRACTIONAL  $\pm 1/64$   
 2 PLC. DEC.  $\pm 01$   
 3PLC. DEC.  $\pm 001$   
**ANGULAR**  
**FINISH**



**DRAWN BY: KH**

**DATE: 01-03-10**

**DESCRIPTION:**

**I-CENTER**

**APPROVED**

**USED ON:**

**ENG:**

**MFG:**

**QA:**

**PATH:**

**L:\Fin.Assemb\I-CENTER\IR400**

**NOT TO SCALE**

**SHEET:**

**PDF NAME:**

**IR400-002**

**REV: SIZE**  
**A**