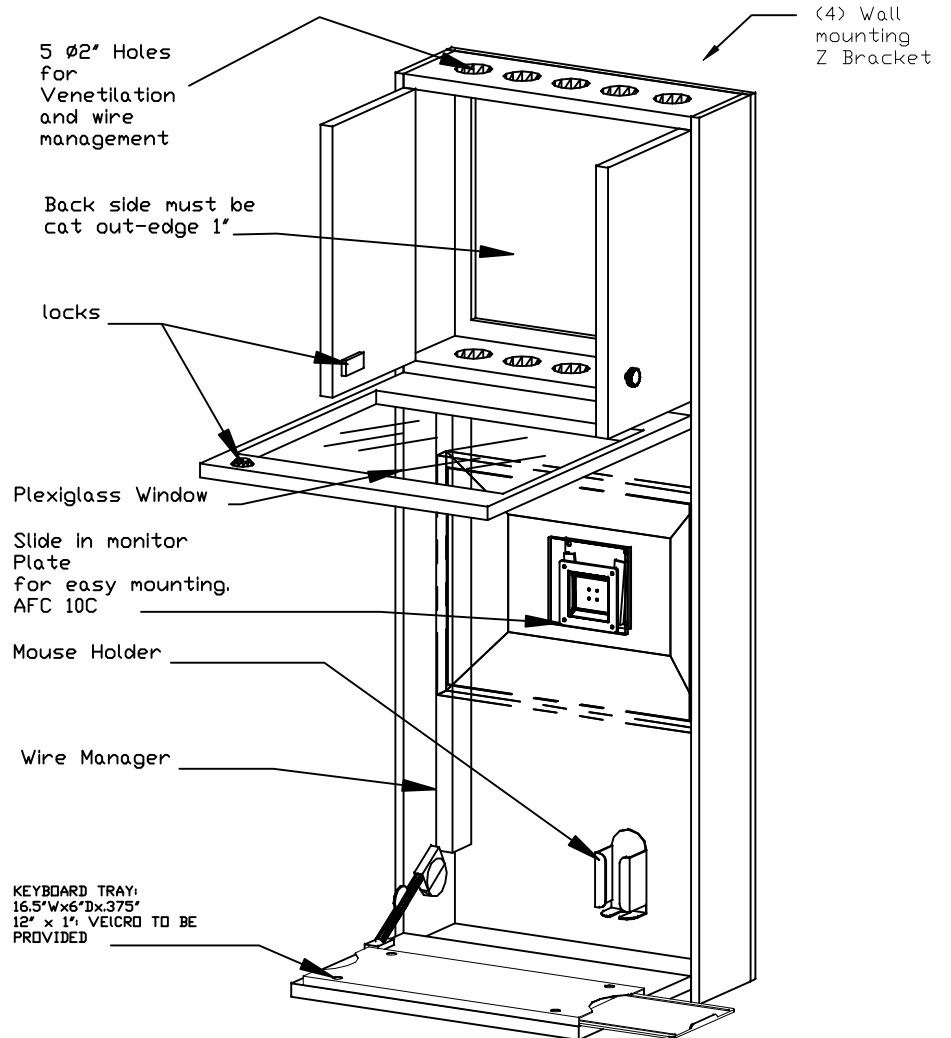
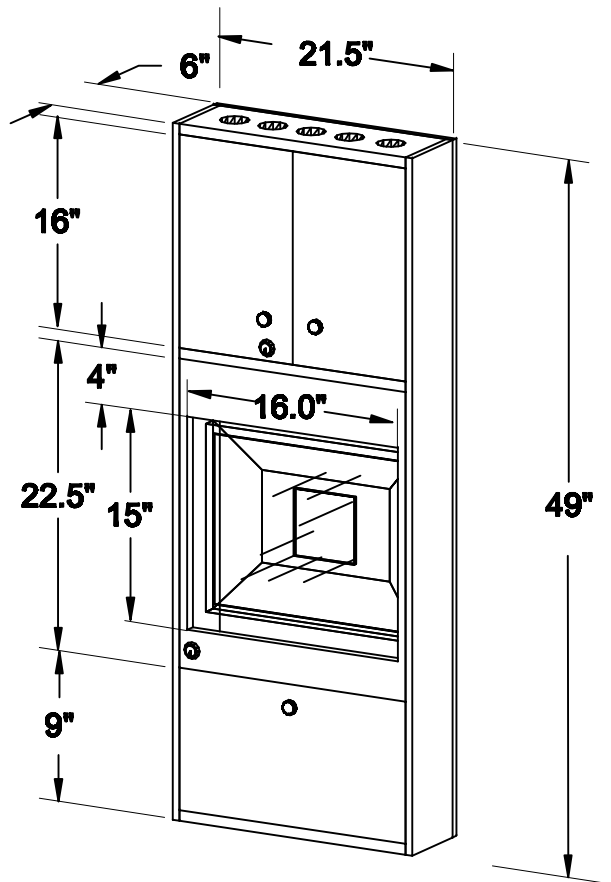


ISOMETRIC VIEW



| | | | | | |
|---------------|--|---------------------|-----------------------|---|-----------------------|
| NOTES: | MATERIAL: | DRAWN BY: KH | DATE: 11-26-10 | DESCRIPTION: | |
| | TOLERANCES UNLESS OTHERWISE SPECIFIED FRACTIONAL ±1/64 2 PLC. DEC. ±.01 3PLC. DEC. ±.001 ANGULAR FINISH | APPROVED | | I-CENTER | |
| | | ENG: | | USED ON: | |
| | | MFG: | | PATH: L:\Fin.Assemb\I-CENTER\IR300 | |
| | | QA: | | PDF NAME: IR300-002 | REV: SIZE A |
| | | NOT TO SCALE | SHEET: | | |