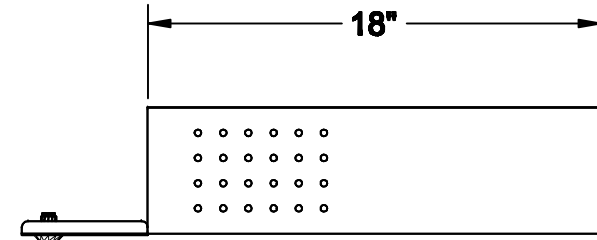
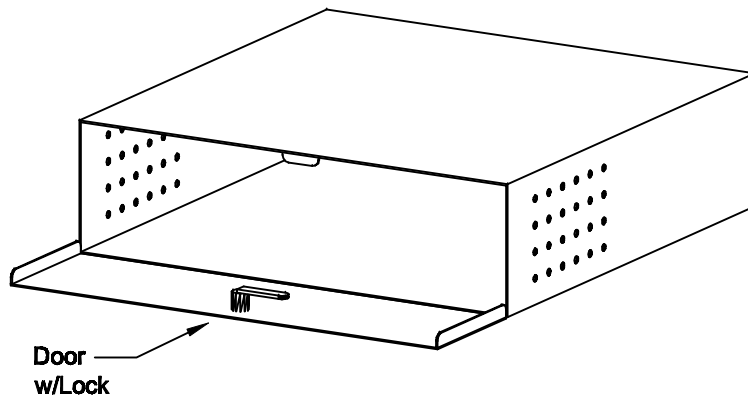


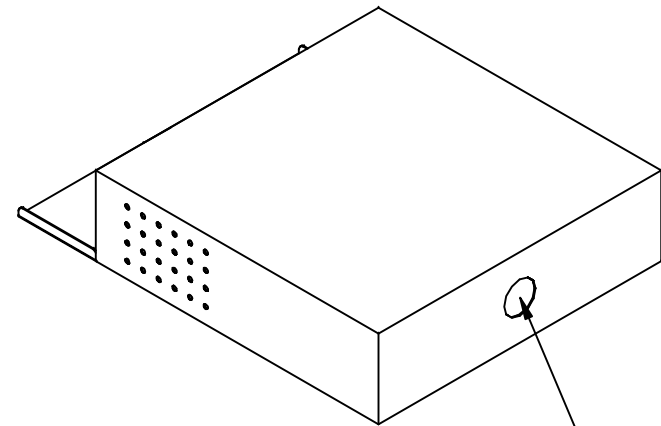
FRONT VIEW



SIDE VIEW



FRONT ISO VIEW



REAR ISO VIEW

Ø2" Grommet Hole

NOTES : All Dim. ID	MATERIAL :	DRAWN BY : VGM	DATE: 08/17/12	DESCRIPTION :	
	TOLERANCES UNLESS OTHERWISE SPECIFIED FRACTIONAL ±1/64 2 PLC. DEC. ±.01 3PLC. DEC. ±.001 ANGULAR ±.5° FINISH √	A P P R O V E D		Metal Lockbox	
		ENG :		USED ON :	
		MFG :		PATH : VF.Assy\Accessories\CPU Holders\CPU-LB	
		QA :		PDF : CPU-LB-180518	FOLDER :
		SCALE : N.T.S.	SHEET : 1 OF 1	REV:	SIZE A