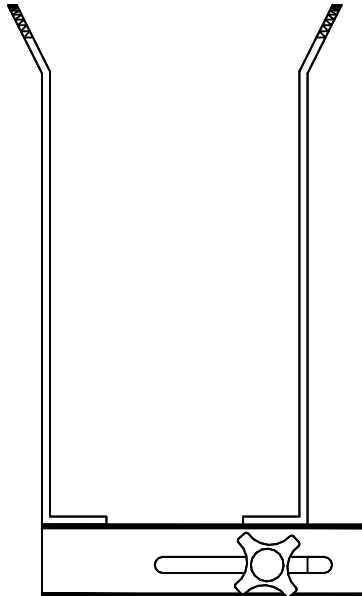
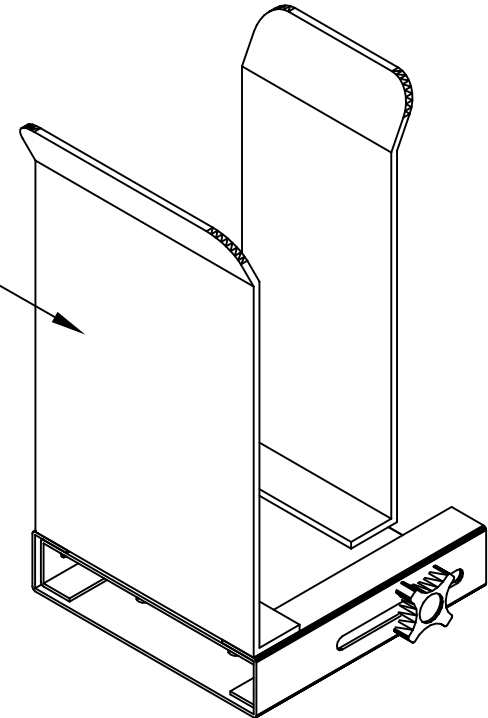


WidthAdjustable
(4"-8.4")



SIDE VIEW

Height 10"



ISO VIEW

FRONT VIEW

NOTES :

MATERIAL :
AS NOTED ABOVE

TOLERANCES UNLESS OTHERWISE SPECIFIED
FRACTIONAL ±1/64
2 PLC. DEC. ±.01
3PLC. DEC. ±.001
ANGULAR ±.5°
FINISH √

DRAWN BY : MK

DATE: 01/08/10

DESCRIPTION :
Table mount CPU Holder

A P P R O V E D

ENG :

USED ON :

MFG :

PATH : F.assy/Accessoriec/ Cpu Holder/99

QA :

PDF NAME:

SCALE : N.T.S.

SHEET : 1 OF 1

CPU 99 01