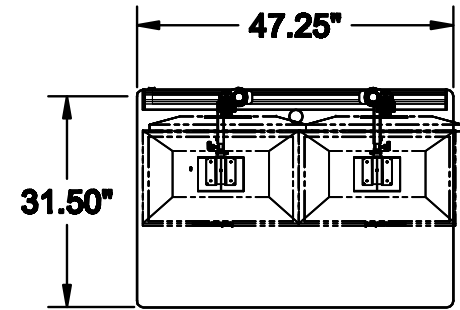
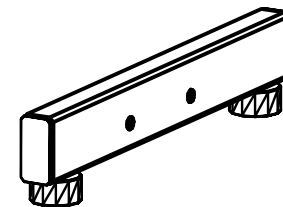


**ISOMETRIC VIEW**



**TOP VIEW**

Optional  
Shorter leg,  
~13.5\"/>



NOTES :

DRAWN BY: **BD/GM**

DATE: **10/10/16**

DESCRIPTION :

A P P R O V E D

**Smart Cart**

ENG :

SKU NUMBER :  
**772690**

MFG :

PATH :

QA :

PDF NAME:  
**772690\_SCNH472929\_4FZ\_CAB\_02\_VER 3**

SCALE: NTS

SHEET: 1 OF 1

SIZE  
**A**