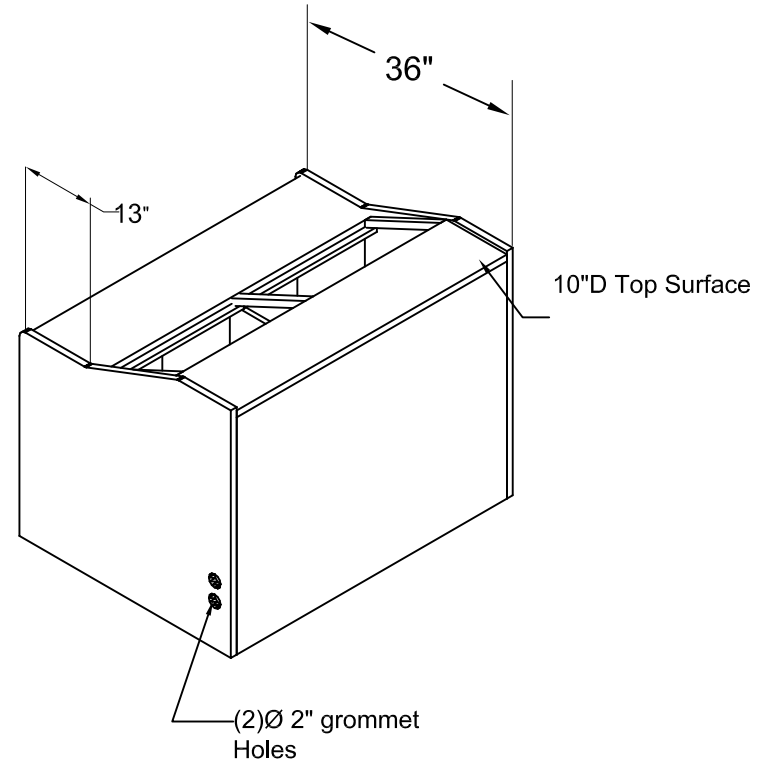
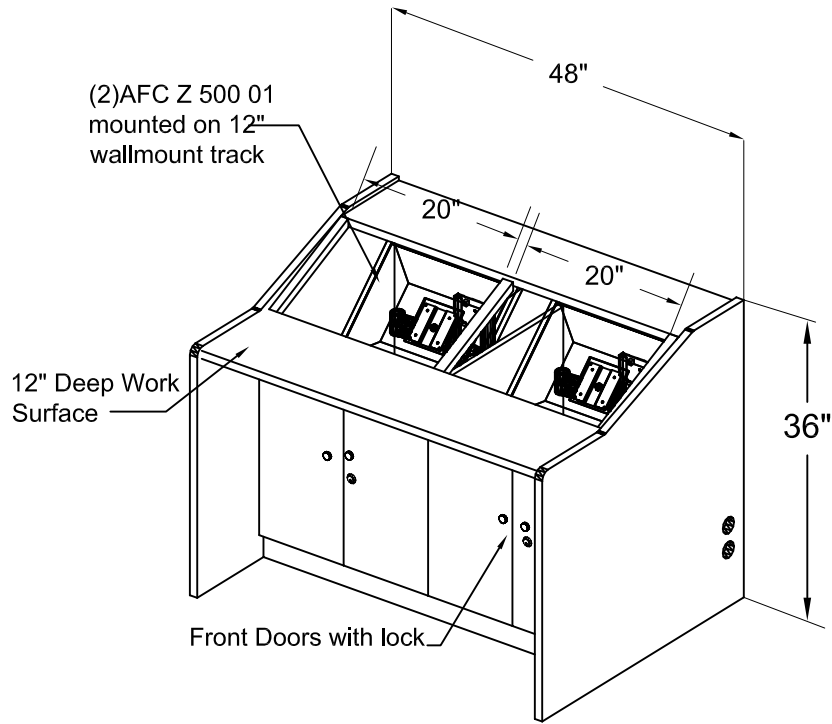


FRONT ISOMETRIC VIEW

REAR ISOMETRIC VIEW



NOTES:

Concept drawing only.
Final design may vary.

MATERIAL:

TOLERANCES UNLESS OTHERWISE SPECIFIED

FRACTIONAL ±1/64
2 PLC. DEC. ±.01
3 PLC. DEC. ±.001
ANGULAR ±.5°
FINISH

±.5°
32

DRAWN BY: MK

DATE: 06-03-10

DESCRIPTION:

B Line Console

A P P R O V E D

USED ON:

ENG:

MFG:

QA:

PATH: L:\F.Assy\B Line

PDF NAME: BL_48_36_01

REV: SIZE
A

SHEET: 1 OF 1