



13-16 133 PLACE
COLLEGE POINT, NY 11356

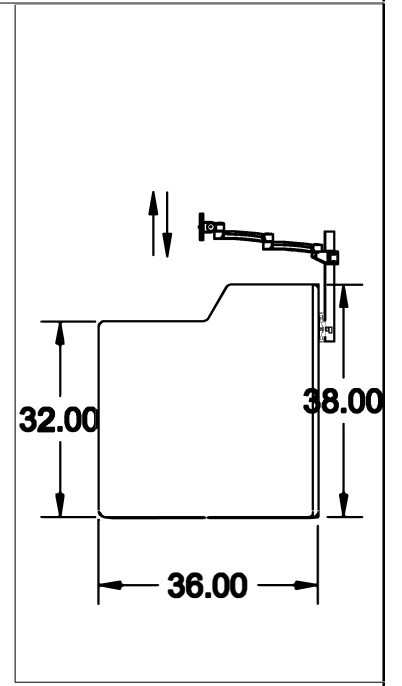
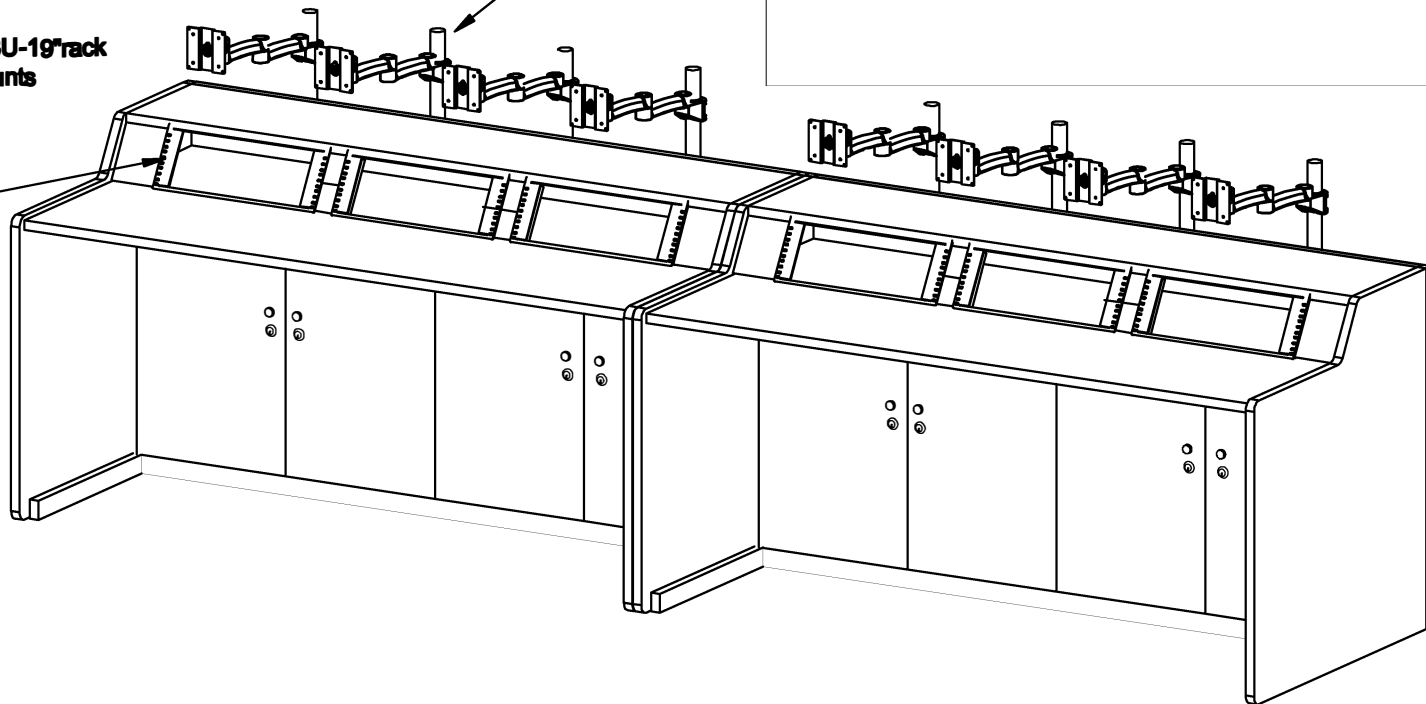
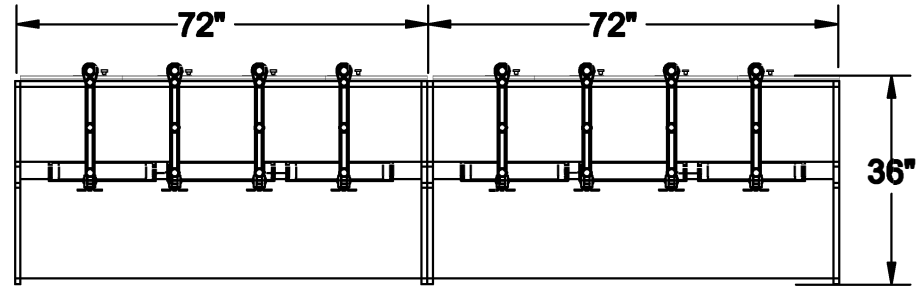
TEL: (718)747-0237
FAX: (718)747-0726

THE PLANS AND DRAWINGS CONTAINED HEREIN ARE PROPRIETARY AND MAY NOT BE COPIED OR REPRODUCED MECHANICALLY, ELECTRONICALLY OR BY ANY MEANS WITHOUT WRITTEN PERMISSION FROM AFC INDUSTRIES, INC.



(8)AFCZ588-WM

(6)3U-19" rack mounts



ISOMETRIC VIEW

NOTES :	MATERIAL :	DRAWN BY : VGM/MK/LV	DATE: 06/24/16
	AS NOTED ABOVE	A P P R O V E D	
	TOLERANCES UNLESS OTHERWISE SPECIFIED	ENG :	SKU NUMBER : 772547
	FRACTIONAL ±1/64	MFG :	PATH :
	2 PLC. DEC. ±.01	QA :	PDF NAME: BL_14436_02
	3PLC. DEC. ±.001	SCALE : N.T.S.	SHEET : 1 OF 1
	ANGULAR ±.5°		
	FINISH √		