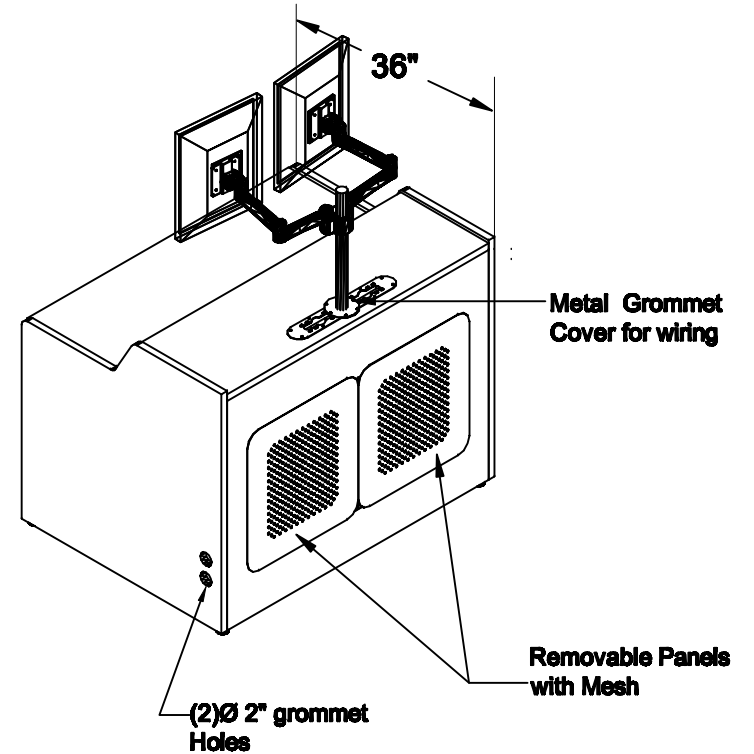
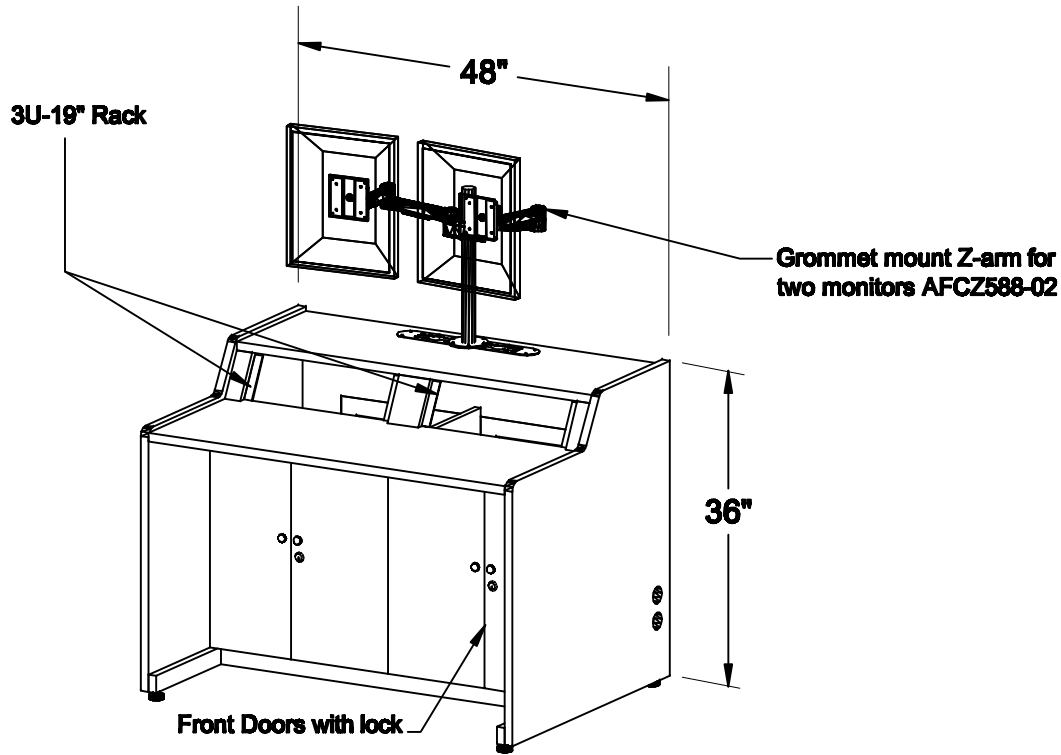




FRONT ISOMETRIC VIEW

REAR ISOMETRIC VIEW



NOTES :	MATERIAL :	DRAWN BY: MK/BD/JK/LV	DATE: 8/11/16	DESCRIPTION :	
	TOLERANCES UNLESS OTHERWISE SPECIFIED FRACTIONAL ±1/64 2 PLC. DEC. ±.01 3PLC. DEC. ±.001 ANGULAR FINISH	APPROVED		B Line Console	
		ENG :		SKU NUMBER :	
		MFG :		772319	
		QA :		PATH : \Fin.Assy\B Line\	
			SHEET : 1 OF 1	PDF NAME :	REV: SIZE
				BL_48_36_03	A