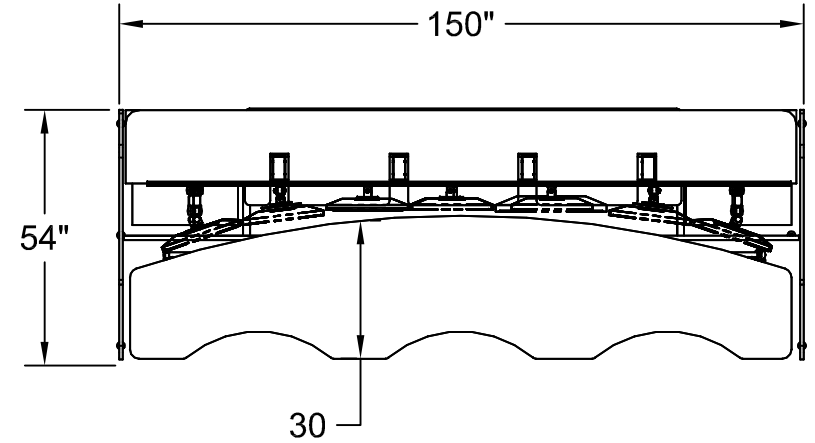
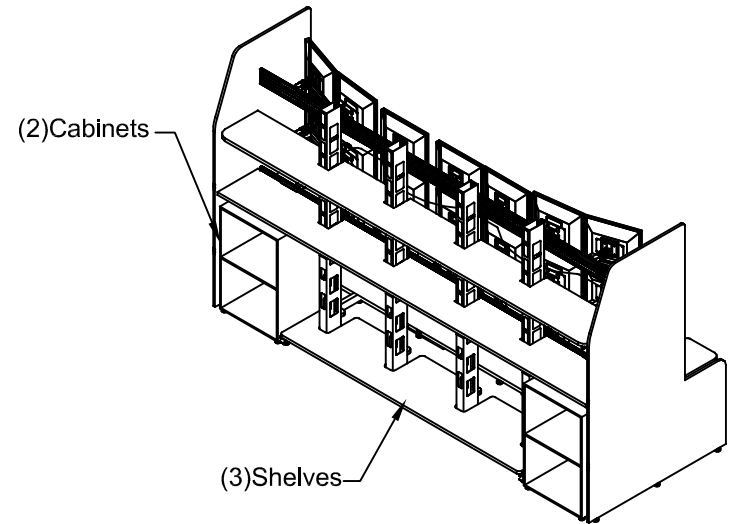


ISOMETRIC FRONT VIEW



TOP VIEW



ISOMETRIC BACK VIEW

NOTES :

MATERIAL :
AS NOTED ABOVE

TOLERANCES UNLESS OTHERWISE SPECIFIED
FRACTIONAL ±1/64
2 PLC. DEC. ±.01
3 PLC. DEC. ±.001
ANGULAR ±.5°
FINISH √

DRAWN BY : PK

DATE: 03/25/09

DESCRIPTION :

Control & Command Centre

A P P R O V E D

ENG :

MFG :

QA :

SCALE : N.T.S.

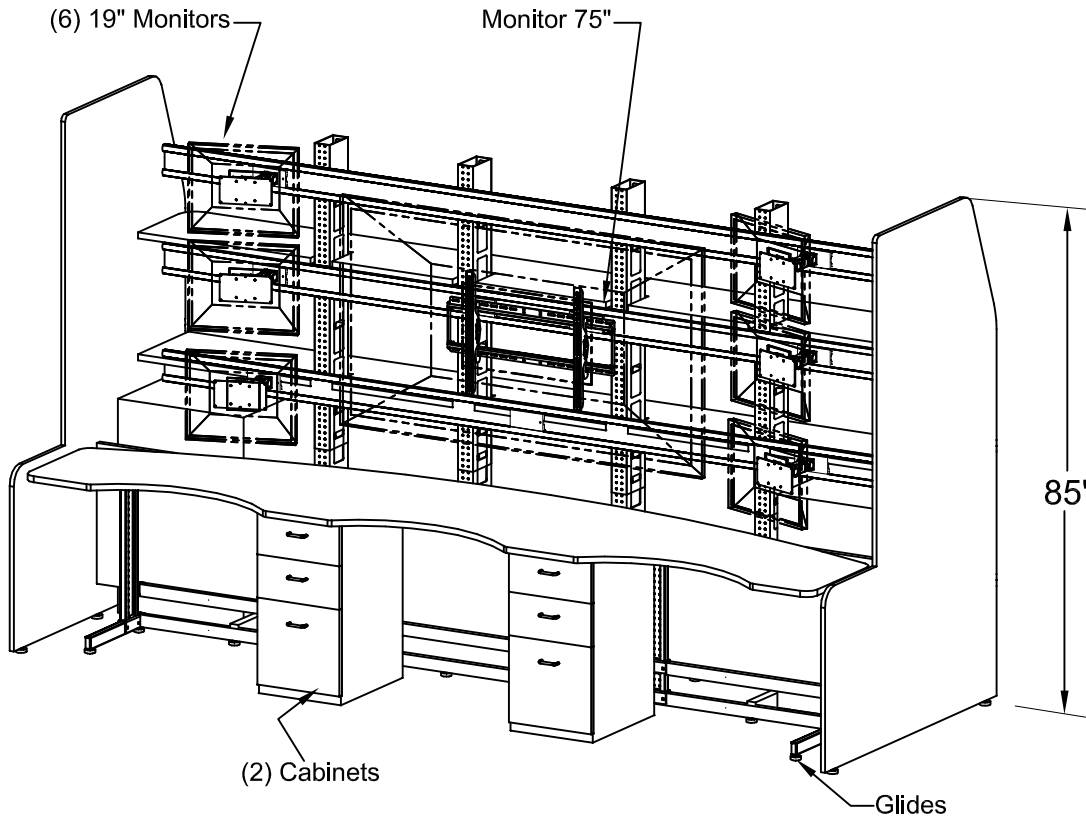
SHEET : 1 OF 1

USED ON :

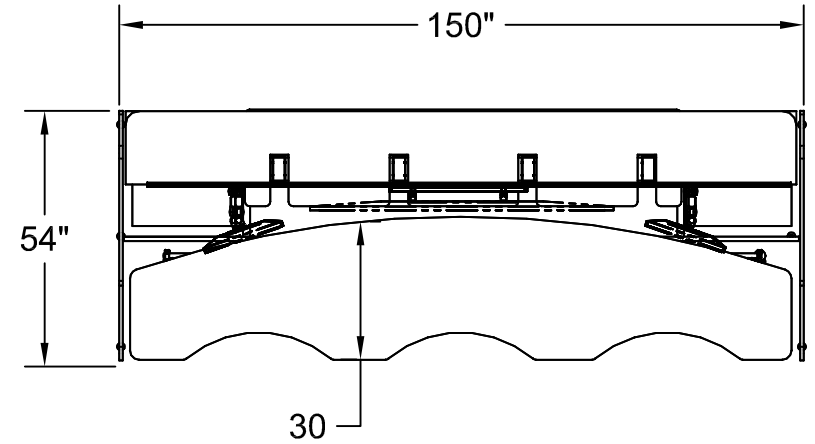
PATH :

PDF NAME:

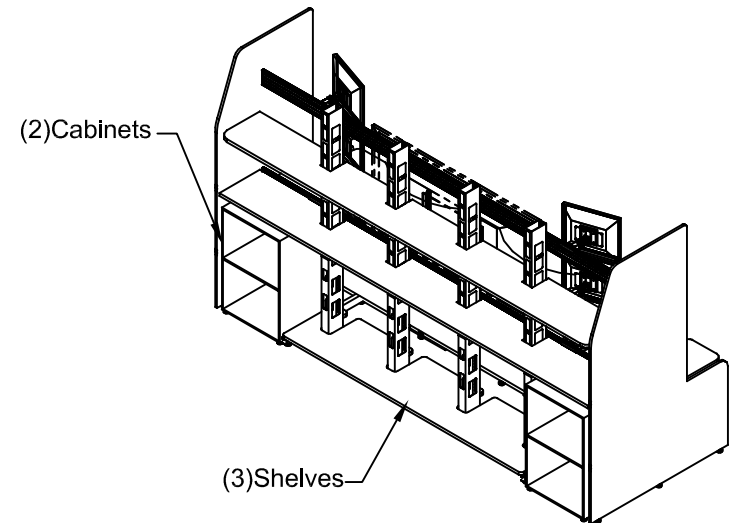
772316_Control Pod_156-07



ISOMETRIC FRONT VIEW



TOP VIEW



ISOMETRIC BACK VIEW

NOTES :

MATERIAL :
AS NOTED ABOVE

TOLERANCES UNLESS OTHERWISE SPECIFIED
FRACTIONAL ±1/64
2 PLC. DEC. ±.01
3 PLC. DEC. ±.001
ANGULAR ±.5°
FINISH ±.001

DRAWN BY : PK/YE

DATE: 7/27/18

DESCRIPTION :

Control & Command Centre

A P P R O V E D

ENG :

MFG :

QA :

USED ON :

PATH :

PDF NAME:

772316_Control Pod_156-07_01

SCALE : N.T.S.

SHEET : 1 OF 1